

Standard type T-bore.

Sealing on all sides with T-bore.

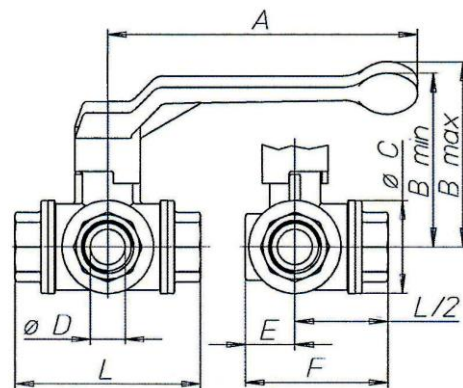
In contrast to the 1084 series, the lever of this model can only be turned 90° rather than 360°. Only two valve positions are therefore possible instead of four.

Body and ball
 Spring
 Seal
 Hand lever
 Medium and ambient temperature
 Thread

Nickel-plated brass
 Stainless steel
 PTFE
 Aluminium, painted black
 -15 °C to max. +100 °C
 Rp thread acc. to ISO 7-1



1084 CL



3-way ball valves, standard, T-bore

Art. No.	Ident No.	Thread	DN	A mm	B max. mm	B min. mm	L mm	Bore in ball	E mm	F mm	Ø C mm	max. operating pressure at 20 °C bar
1084 CL	103369	Rp 1/2	15	130.0	85.0	77.0	80.0	13	21.0	61.0	38.0	40
1084 DL	103370	Rp 3/4	20	160.0	98.0	89.0	96.0	18	26.0	74.0	48.0	40
1084 EL	103371	Rp 1	25	160.0	102.0	93.0	113.0	23	31.0	88.0	58.0	25
1084 FL	103372	Rp 1 1/4	32	195.0	121.0	110.0	130.0	29	34.0	99.0	67.0	16
1084 GL	103373	Rp 1 1/2	40	195.0	125.0	115.0	147.0	35	40.0	114.0	78.0	16
1084 HL	103374	Rp 2	50	235.0	141.0	129.0	169.0	44	47.0	132.0	95.0	16

Diagram pressure / temperature:

